



RF Components

L-Band Multiplexer

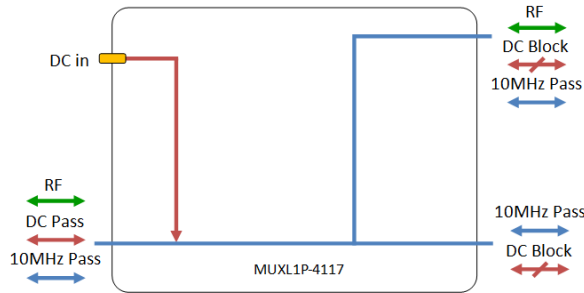
850 - 2150 MHz

Model Number:
MUXL1P-4117

- Multiplexes L-band, 10MHz and DC onto Port 1
- 10 MHz pass and DC block on Port 1
- 10MHz Input port DC blocked
- Up to 7 amp DC rating

Available with RF connector options:

- 50 Ω SMA
- 50 Ω N-type
- 50 Ω BNC
- 75 Ω BNC
- 75 Ω F-type.



Compact
housed in rugged compact enclosure

Flexible Mounting
Tapped screw & through hole mounting options



850-2150 MHz
operating frequency range. L-Band ready



RF Parameters					
MUXL1P-4117-XXXX	S5S5	N5N5	B5B5	B7B7	F7F7
Frequency Range	850-2150 MHz				
RF Connectors	50Ω SMA	50Ω N-Type	50Ω BNC	75Ω BNC	75Ω F-Type
Common Port:					
Mean Insertion Loss (dB)	0.4 ± 0.2	0.4 ± 0.2	0.4 ± 0.2	0.5 ± 0.3	0.5 ± 0.3
Flatness ± (dB)	0.3	0.3	0.3	0.8	0.8
Return Loss (dB)	20	18	16	12	12
	15	14	12	8	8
L-Band Port :					
Return Loss (dB)	20	18	16	12	12
	15	14	12	8	8
10MHz :					
Mean Insertion Loss (dB)	4 ± 2	4 ± 2	4 ± 2	4 ± 2	4 ± 2

Broadcast



Marine Oil & Gas



SNG & VSAT



Satellite Teleport



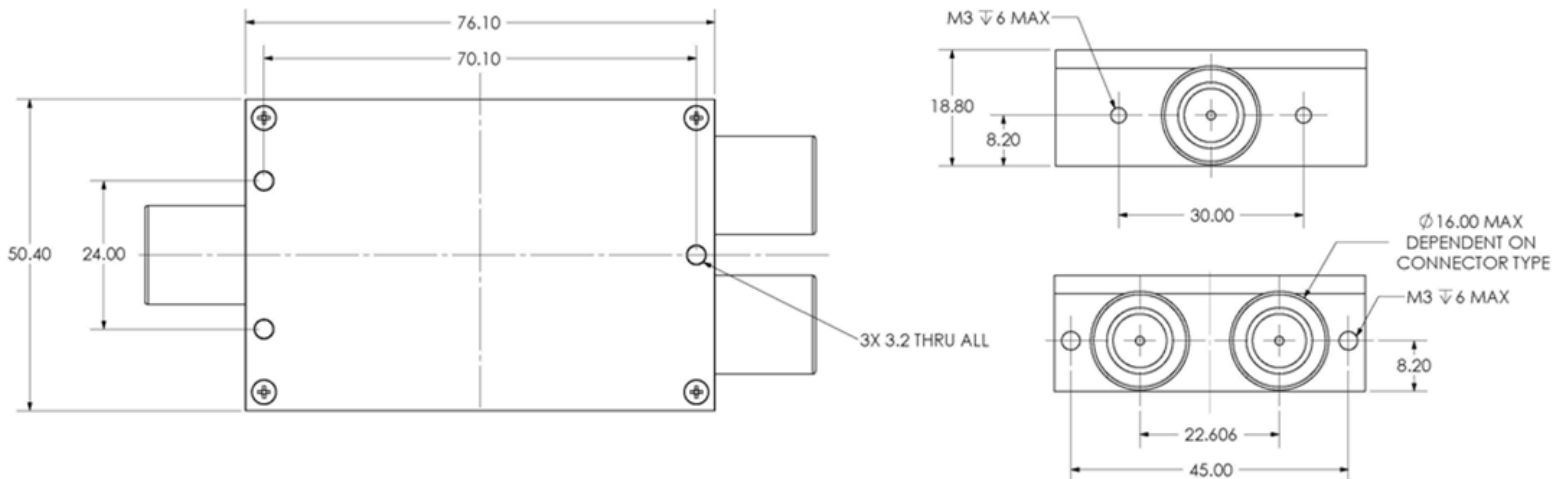
Technical specifications and operating parameters

Environmental	
Operating Temperature	0°C to 45°C
Storage Temperature	-20°C to +75°C
Location	Indoor use Only
Humidity	85% non-condensing
Altitude	10,000 feet

Max Operating Parameters	
Input RF Power	5W
DC Voltage	50V
DC Current	5A N-type / SMA BNC F-type 3A

! Operation beyond these limits may cause instantaneous and permanent damage.

Physical Dimensions



Note : The specification is subject to regular reviews and will be updated from time to time as part of our continuing product development and improved spec accuracy.